

NS 35/ 7,5 PERF 955MM

Order No.: 1207653

<http://eshop.phoenixcontact.de/phoenix/treeViewClick.do?UID=1207653>

NS35 DIN rail, height 7.5 mm, length 955 mm

Commercial data

EAN	4017918932633
sales group	B202
Pack	10 pcs.
Customs tariff	72166190
Weight/Piece	0.305 KG
Catalog page information	Page 693 (CL-2009)

Product notesWEEE/RoHS-compliant since:
09/21/2006

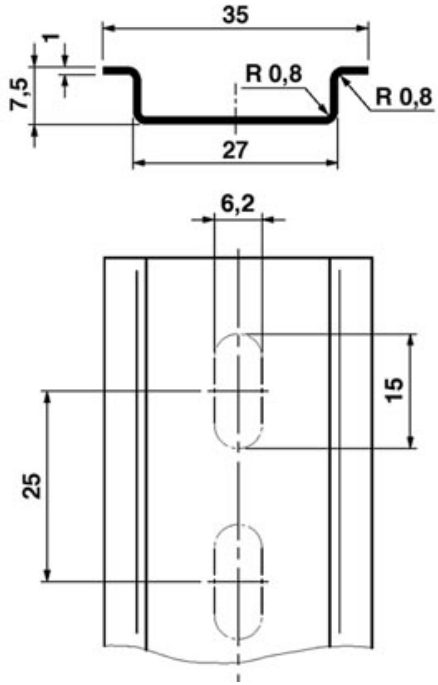
<http://www.download.phoenixcontact.com>
Please note that the data given here has been taken from the online catalog. For comprehensive information and data, please refer to the user documentation. The General Terms and Conditions of Use apply to Internet downloads.

Technical data**General data**

Height	7.5 mm
Length	955 mm
Width	35 mm
Material	Steel
Color	silver

Diagrams/Drawings

Dimensioned drawing



Address

PHOENIX CONTACT Inc., USA
586 Fulling Mill Road
Middletown, PA 17057, USA
Phone (800) 888-7388
Fax (717) 944-1625
<http://www.phoenixcon.com>



© 2010 Phoenix Contact
Technical modifications reserved;